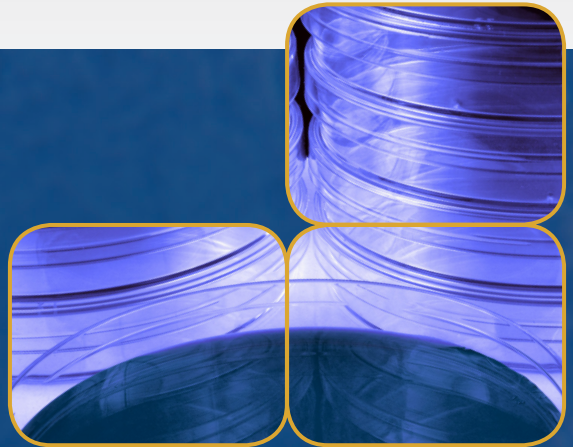


Streamline®

Class II Biological Safety Cabinets
The Industry's Best Value Class II Cabinets



*Streamline® Class II, Biosafety Cabinet,
Model: SC2-4S1*



ESCO

WORLD CLASS. WORLDWIDE.



Sentinel™ Silver Microprocessor Controller

- Displays all safety information on one screen
- Centered and angled down for easy reach & viewing
- Selectable Quickstart mode for fast operation

- High performance EBM-PAPST® permanently lubricated, centrifugal motor/fans with external rotor designs. Motors selected for energy efficiency, compact design and flat profile.
- ULPA/HEPA filtration system operate at a typical efficiency of >99.995% at 0.1 to 0.3 micron sizes.
- Ergonomically angled front improves reach and comfort, reduces glare. Frameless, shatterproof sash is easier to clean, offers larger, unobstructed viewing area.
- ISOCIDE™ powder coat inhibit microbial growth to improve safety.
- Sentinel™ Silver Microprocessor control alarm system supervise operation of all cabinet functions. Monitor both exhaust and downflow.
- Robust cabinet construction with key components, including fluorescent lamps, control system are located away from contamination air to permit service without decontamination.
- Glass side to increase brightness with maximum visibility / Stainless Steel side walls available (S-Series).
- Esco Streamline® Class II has been certified by PHE / Public Health England (formerly HPA) for compliance to EN 12469.

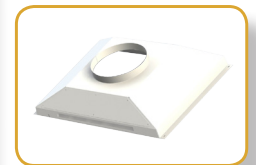


12

Accessories					
Item Code		Model			
Cabinet	Glass Sides	SC2-4E1 2010655	SC2-4E3 2010892	SC2-6E1 2010900	SC2-6E3 2010904
	Stainless Steel Sides	SC2-4S1 2010930	SC2-4S3 2010898	SC2-6S1 2010906	SC2-6S3 2010910
Anti-blowback Valve 10"		ABBV-10P 5170352			
Thimble Exhaust Collar		ECO-AC2-4 Gen3 5170522	ECO-AC2-6 Gen3 5170524		
UV Lamp		UV-30A-L 5170255			
PVC Arm Rest Valve 10"		MEWREST 5170127			
Pre-Filter (On paper Catch)		PF-42 5090062	PF-44 5090064		
IV Bar		IV-1215 5170231	IV-1825 5170501		
Electrical Outlet (Universal)		EO-UNI 5170060			



ABBV-10P



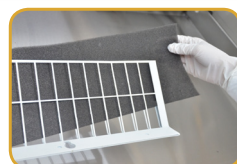
ECO-AC2-_ Gen3



UV-30A-L



MEWREST



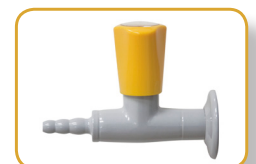
PF-



IV-_



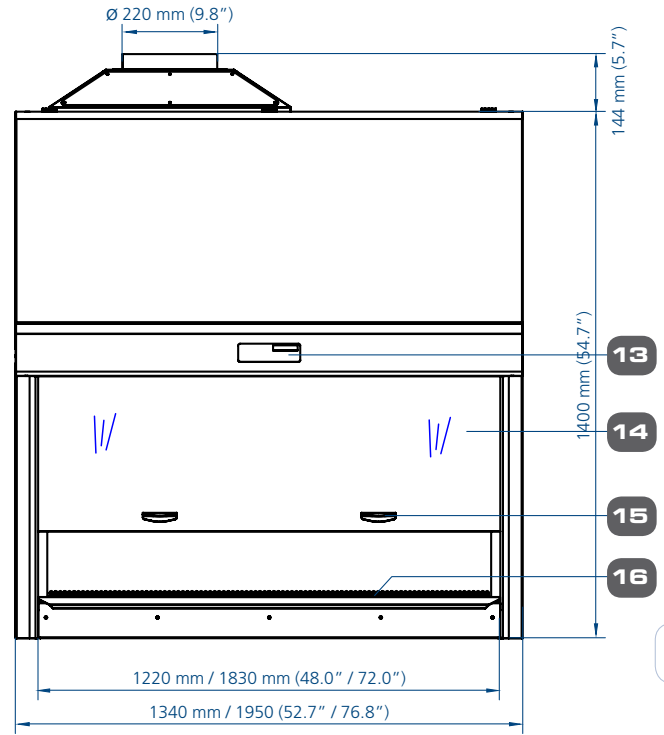
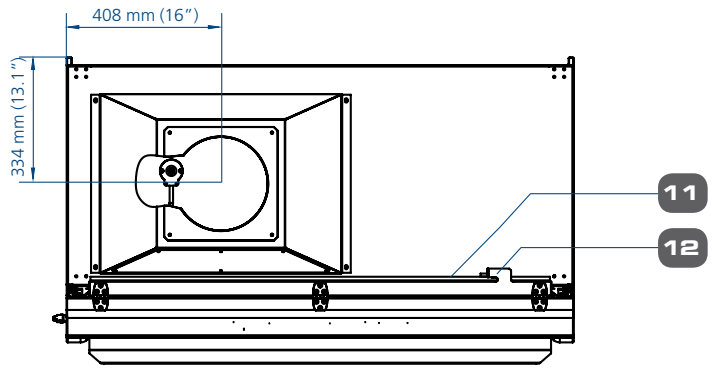
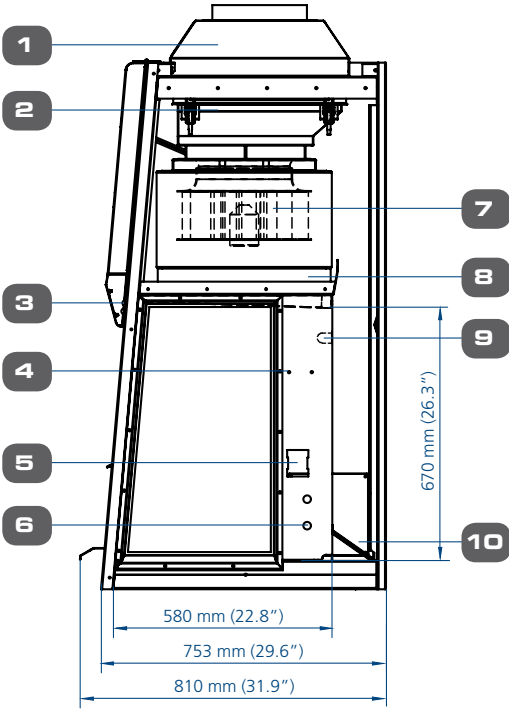
EO-UNI



SF-

Streamline® Class II, Biological Safety Cabinet Engineering Drawing

- 1. Exhaust Collar (Optional)
- 2. Exhaust ULPA Filter
- 3. Fluorescent Lamps
- 4. IV Bar Retrofit Kit Provision
- 5. Universal Electrical Outlet (one on each side)
- 6. Service Fixture Retrofit Kit Provision (two on each side)
- 7. EBM AC Blower
- 8. Downflow ULPA Filter
- 9. UV Lamp (Optional)
- 10. Paper Catch (with optional pre-filter)
- 11. RS232 Port
- 12. Power Inlet (with safety cable hook)
- 13. Esco Sentinel™ Silver Microprocessor Control System
- 14. Tempered Glass Sliding Sash Window
- 15. Sash Handle
- 16. Stainless Steel Work Tray



EU SF-Gas-20 mm	SF-1G20	5170410	
EU SF-Vacuum-20 mm	SF-1V20	5170457	
EU SF-Air-20 mm	SF-1A20	5170503	
EU SF-Nitrogen-20 mm	SF-1N20	5170503	
EU SF-Water-20 mm	SF-1W20	5170258	
EU SF-Universal-22 mm	SF-2U22	5170504	
Ergonomic Foot Rest	FT-REST	5170073	
Fixed Stand with Caster Wheels 28" Height	SPC-4A0 Gen2	5130152	SPC-6A0 Gen2 5130154
Fixed Stand with Caster Wheels 34" Height	SPC-4B0 Gen2	5130166	SPC-6B0 Gen2 5130168
Fixed Stand with Leveling Feet 28" Height	SAL-4A0 Gen2	5130134	SAL-6A0 Gen2 5130172
Fixed Stand with Leveling Feet 34" Height	SAL-4B0 Gen2	5130175	SAL-6B0 Gen2 5130177
IQ OQ Protocol	9010179		



SF-2U22



FT-REST



SPC-_A0



SAL-_A0

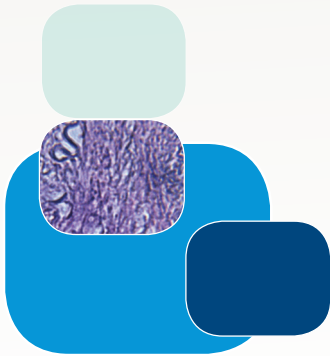


IQ OQ

TECHNICAL SPECIFICATIONS

Model	SC2-4E1 2010655		SC2-4E3 2010892		SC2-6E1 2010900		SC2-6E3 2010904		
	SC2-4S1 2010930		SC2-4S3 2010898		SC2-6S1 2010906		SC2-6S3 2010910		
External Dimension (W x D x H)		1340 x 810 x 1400 mm (52.8" x 31.9" x 55.1")				1950 x 810 x 1400 mm (76.8" x 31.9" x 55.1")			
Gross Internal Dimension (W x D x H)		1220 x 580 x 670 mm (48.0" x 22.8" x 26.4")				1830 x 580 x 670 mm (72.0" x 22.8" x 26.4")			
Airflow Velocity	Inflow	0.45 m/s (90 fpm)							
	Downflow	0.30 m/s (60 fpm)							
Airflow Volume	Inflow	292 cmh (172 cfm)			438 cmh (258 cfm)				
	Downflow	764 cmh (450 cfm)			1146 cmh (657 cfm)				
	Exhaust	292 cmh (172 cfm)			438 cmh (258 cfm)				
	Required Exhaust with Optional Thimble Exhaust Collar	538 m ³ /h (317 cfm)			823 m ³ /h (485 cfm)				
	Static Pressure for Optional Thimble Exhaust Collar	31 Pa / 0.12 in H ₂ O			47 Pa / 0.18 in H ₂ O				
ULPA Filter Typical Efficiency		>99.995 at 0.1 to 0.3 micron, ULPA as per IEST-RP-CC001.3 USA >99.995 at MPPS, H14 as per EN 1822 EU							
Sound Emission (IEST-RP-CC002.2)*		NSF: 62.0 dBA / EN: 58.2 dBA			NSF: 63.3 dBA / EN: 60.3 dBA				
Fluorescent Lamp Intensity		1070 lux (99.4 foot-candles)			1028 lux (95.5 foot-candles)				
Cabinet Construction	Main Body	1.2 mm (0.05") / 18 gauge EG Steel with Isocide™ Oven-Baked Epoxy-Polyester Powder Coating							
	Workzone	E-series: Multi-piece work tray, 1.5 mm (0.06") / 16 gauge, SS304, with glass side wall							
		S-series: Single-piece work tray, 1.5 mm (0.06") / 16 gauge, SS304, with stainless steel side wall							
Electrical	Maximum Power / Current Consumption	254 W / 1.3 A		268 W / 1.7 A		550 W / 3.2 A		670 W / 3.8 A	
	Outlet Amp Fuse	5 A							
	Full Load Amps	7 A		7 A		8.5 A		9 A	
	BTU/Hr	874		1177		1840		2286	
Net Weight		230 Kg (507.0 lbs)			346 Kg (762.8 lbs)				
Shipping Weight		285 Kg (628.3 lbs)			428 Kg (943.6 lbs)				
Shipping Dimension (W x D x H)		1450 x 820 x 1760 mm (57.0" x 32.2" x 69.2")			2050 x 820 x 1760 mm (80.7" x 32.2" x 69.2")				

*Noise reading in open field condition / anechoic chamber



ESCO

WORLD CLASS. WORLDWIDE.

Esco Technologies, Inc. • 903 Sheehy Drive, Suite F, Horsham, PA 19044, USA
 Toll-Free USA and Canada 1-877-479-3726 • Tel 215-441-9661 • Fax 484-698-7757
 eti.sales@escoglobal.com • www.escolifesciences.us

Esco Micro Pte. Ltd. • 21 Changi South Street 1 • Singapore 486 777
 Tel +65 6542 0833 • Fax +65 6542 6920 • mail@escoglobal.com
 www.esco-global.com

Esco Global Offices: Bahrain | Bangladesh | China | India | Indonesia | Italy | Japan | Malaysia
 Philippines | Russia | Singapore | South Africa | South Korea | Thailand | United Kingdom | USA | Vietnam



9010220 Biological Safety Cabinet, SC2, brochure, A4, VE_081415
 Esco can accept no responsibility for possible errors in catalogues, brochures and other printed materials. Esco reserves the right to alter its products and specifications without notice. All trademarks and logos are the property of Esco and the respective companies.

Esco Micro Pte. Ltd. Pte. No. 651338
 Esco Technologies, Inc. Cert. No. 651338
 TUV SUD Cert. No. Q219308379103